



n i s u s TM



aim higher



unlimited adventure



JINDŘICH ZÁHUMENSKÝ
CEO and Founder

NISUS is a fruit of passion. As a trike-wing enthusiast and a businessman, I wanted to take sport aviation to a whole new level. NISUS is status, it is trust and a relationship that you create, it is precision. NISUS is quality and service, top level, no compromise.



ONDREJ JANČOVIČ
COO, Product Development

NISUS is comfort, it is energy and ease at the same time. It is sort of prestige, to own something that looks as expensive as a helicopter. Plus it gives you numerous possibilities where and how to use it. It is creative, it makes you creative.



gaming becomes real

NISUS gives you the ability and agility to learn to fly! It is effortless to pilot. Thanks to its compact design, you can take it anywhere you want and stow it in a small space. An all weather aircraft with great performance.

NISUS should be flown and enjoyed either as your own-special type of transportation to destinations you desire or as your professional flying companion for numerous monitoring, surveillance and safety purposes.

Enjoy your ride with the ability of closed and compact side-by-side cockpit, offering great internal habitability and panoramic views.



Introducing **NISUS**, a *personal aircraft* combining recreational and professional flying.

Taking off from the history that started a hundred years ago and continues till today, gyroplane is one of the safest and the easiest aircraft to pilot ever designed.

If you are looking for a means of transport that would represent, *speed, safety and comfort*, **NISUS** offers all that, plus unlimited adventure.





BENEFITS OF NISUS

Urban Mobility
Easy Piloting
Short Take-off and Landing
Panoramic views
Low Operation and Maintenance Cost

CONSTRUCTION

The gyroplane supporting structure is welded from **Chrome molybdenum steel** tubes (25crmo4 NBK), which at a low weight ensure high rigidity and safety of the structure.



Take advantage
of this extraordinary machine

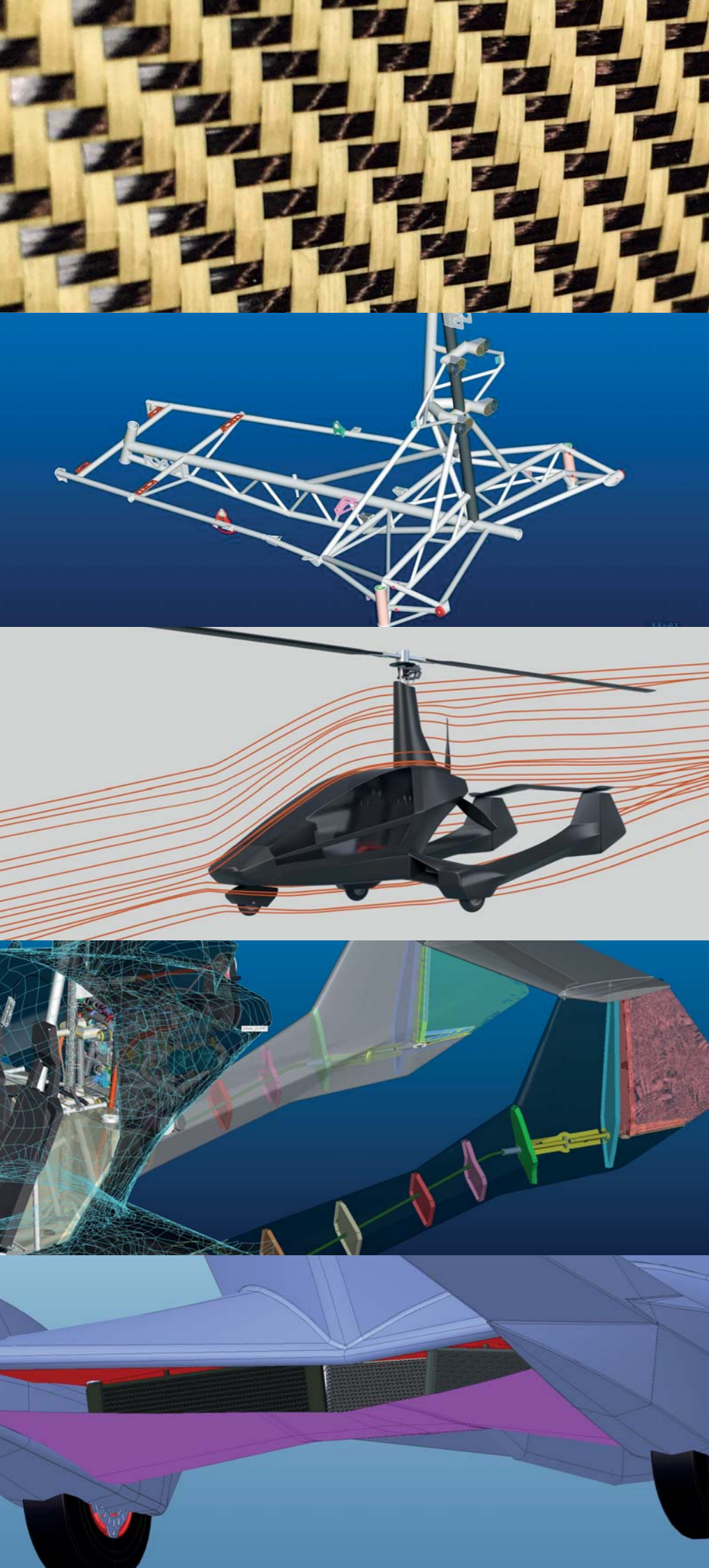




TECHNICAL DATA OF GYROPLANE NISUS

LENGTH X WIDTH X HEIGHT	4750 mm x 1680 mm x 2700 mm - cabin width 1300 mm
CRUISE SPEED	130-160 km/h (70-86 KIAS)
MAXIMUM SPEED	195 km/h (105 KIAS)
MINIMUM SPEED	30 km/h (16 KIAS)
ENGINE	Rotax 915IS (141 Hp)
ROTOR	Gyrotech 8600 mm
FUEL TANK CAPACITY	92 l (2 x 46 l) or 24 GAL (US)
FRAME	Chrome molybdenum steel tubes
PROPELLER	Composite, 3 blade
TAKE OFF DISTANCE	200 m (656 ft)
LANDING DISTANCE	150 m (492 ft)
TAKE OFF ROLL	70-120 m (230-393 ft)
LANDING ROLL	0-20 m (0-60 ft)





UNIQUE NISUS



Carbon Kevlar Hybrid

The inside of the cabin is fully layered with CKH to provide *maximum safety* of the crew in case of an emergency.

Safety Cage

Nisus is supported by a full circumferential frame securing higher safety, therefore providing spectacular *panoramic views*. Gyroplane's support frame pressure control system.

Saving energy

Through its unique design, designed as a *Buoyancy body*, the faster it flies, the more you save.

Empennage

Its *novel design* with double rudder improves its functionality of manoeuvring at low speed, for example during landing.

Engine Cooling

Fits perfectly within our design, maintaining cooling of *Rotax 915IS* even at higher outside temperatures.

whirl with us





INTERIOR (OPTIONAL)

EFIS/EMS - Kanardia, Dynon, Garmin...

Avionics of your choice on demand

Flocked interior

Cabin upholstery - car leatherette/leather/alcantara

Bags in storage compartments

Luggage compartment under the seats

Heating

Fire extinguisher

Sun visor

EXTERIOR (OPTIONAL)

Exterior colour - Colour paint

Exterior colour - Metallic paint

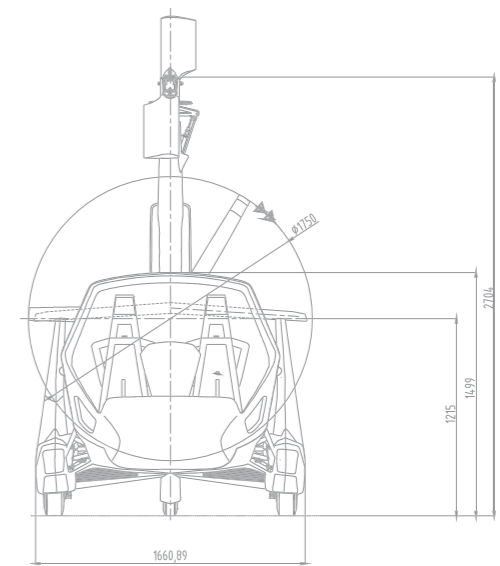
Stickers on customer's request

Cover tarpaulin for cabin

Landing lights

Heating

Adjustable/Constant speed propeller



ENGINES (OPTIONAL)

Engine Rotax 915 IS (141 Hp)

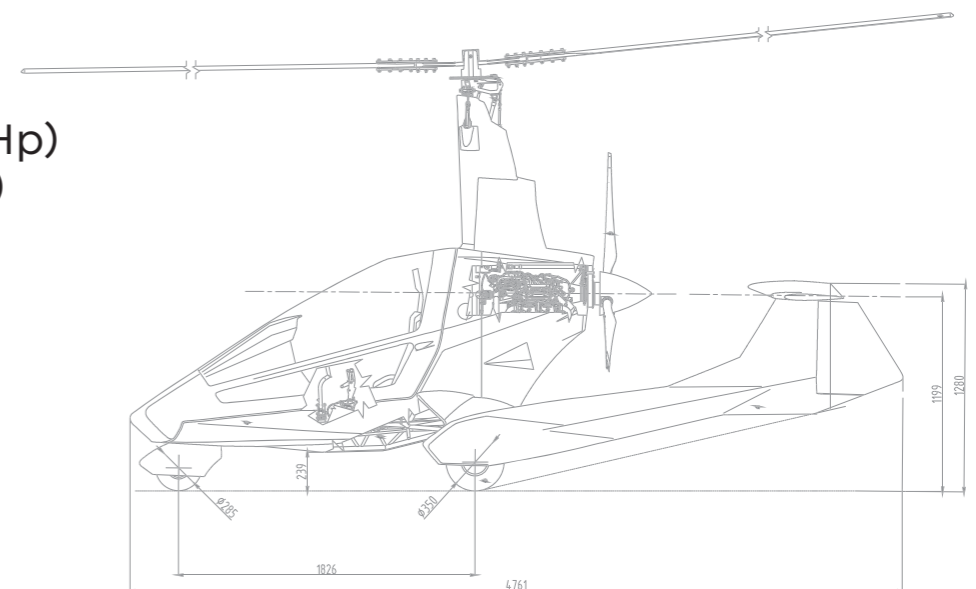
Engine Rotax 914 UL (115 Hp)

Engine Rotax 912 ULS + T (130 Hp)

Engine Rotax 912 UL+T (120 Hp)

Engine EP 912 Sti (150 Hp)

Engine EP 916 ECI (130 Hp)





MAXIMUM ENGINE POWER	FUEL CAPACITY	CRUISING SPEED	MAXIMUM SPEED	PAYLOAD
74 kW 100 hp	42 l 12 GAL(US)	85-120 km/h 46-65 KIAS	161 km/h 87 KIAS	230 kg 507 lbs



ABOUT US

The company JOKERTRIKE s.r.o was founded in 2005 as a manufacturing company focused on single-part and small-series production of machined parts for the engineering, automotive and aerospace industries.

The company provides demanding Slovak and foreign customers with high-quality CNC machining, turning and milling with high precision and quality.

The CNC machining centres are operated by experienced production and technical staff which handle demanding and complicated single-part or series production. In addition to CNC machining, the company JOKERTRIKE also specializes in the development and production of sport flying equipment, such as two-seater engine hang-gliders, single-seater engine hang-gliders, but especially the absolute game changer on the market - the gyroplane NISUS.



above and beyond



www.nisus-aero.com